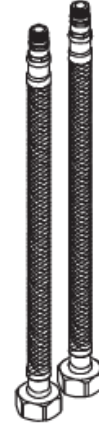
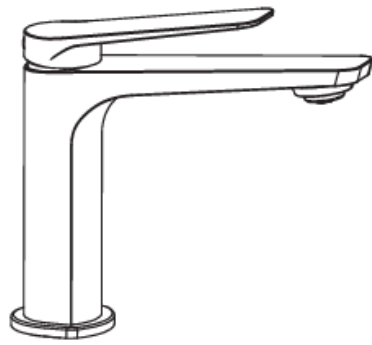
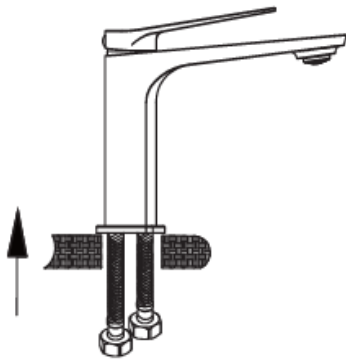


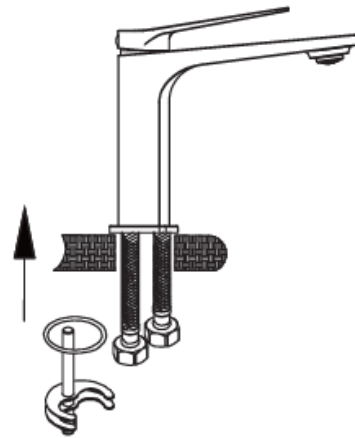
Installing instruction



Step 1. Check all spare parts ready



Step 2. Install inlet pipe to faucet body



Step 3. Install screw stick to faucet body